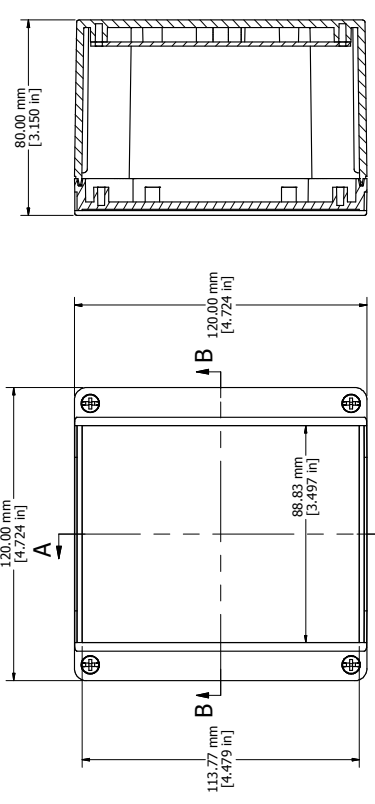
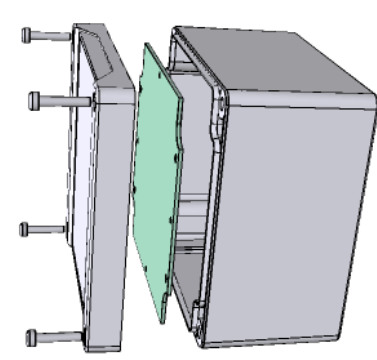


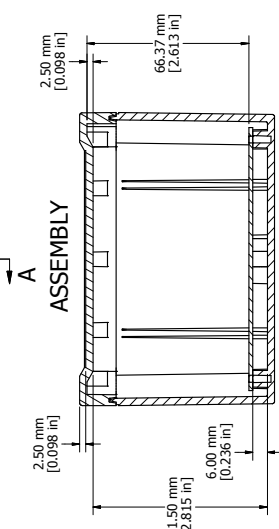
1 2 3 4 5 6 7 8



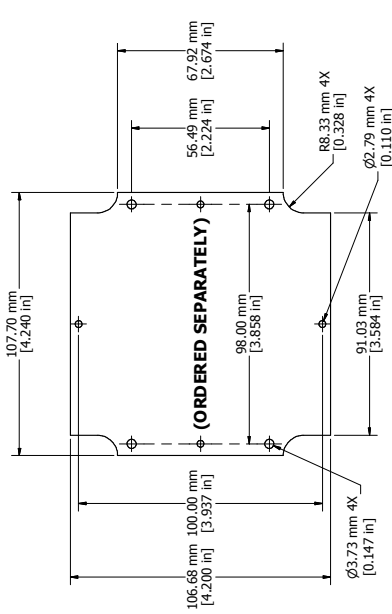
UL US LISTED
 File #E65324
 NEMA 4, 4X



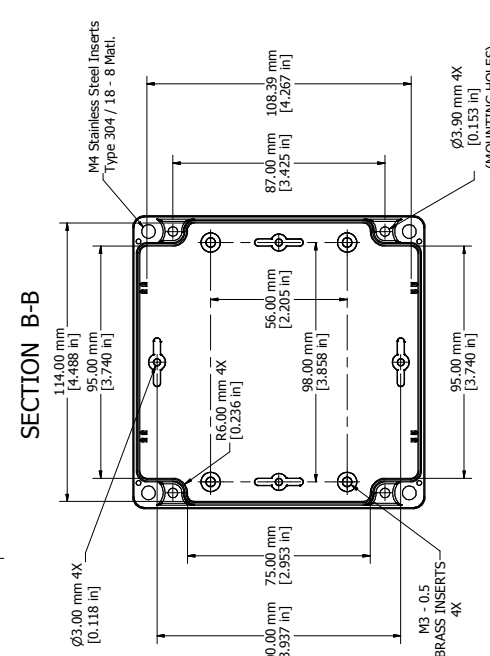
SECTION A-A



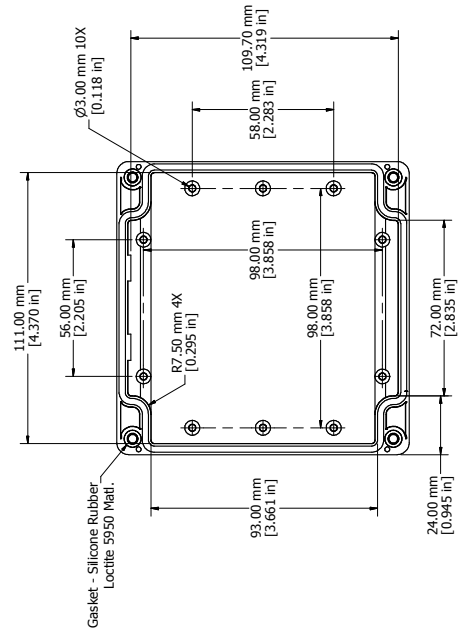
ASSEMBLY



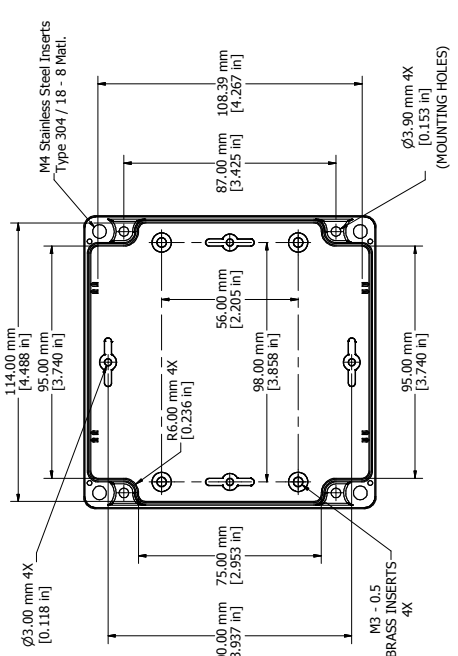
STEEL INNER PANEL



SECTION B-B



LID - INSIDE



BOX - INSIDE

NOTE
 Purchased assembly includes box, lid, and 4 cover screws
 Cover screws should be torqued to 2.5 lbf-in (30 cN-m)
 Polycarbonate version is UL-508 approved

1555P	
1555P Regular Enclosure	
General Purpose ABS RAL-7035 UL94 - HB	1555PGY
Polycarbonate RAL-7035 UL94 - V0 / 5VA @ 3mm	1555P2GY
ACCESSORIES	
Heavy Duty 1/8 Gauge Galvanized Steel Panels	1554NPL
Steel Panel / P.C. Board Machine Screw	1591MM100
Steel Panel / P.C. Board Self Tapping Screw	1598ATS100
#6 X 1/4" (6.4mm) Nickel Plated	
Cover Screws (Pkg 4)	SC1554
[M4 X 20mm Type 304 Stainless Steel]	



**HAMMOND
 MANUFACTURING™**
 1555P
 www.hammondmfg.com

Enclosures can be Factory Modified (Milling, Drilling, Printing etc.)
 Solid models of this enclosure available in STEP or IGES.
 Contact Factory njim@hammondmfg.com

D C A B A